



LOKKLatch®

DELUXE<sup>3</sup>



# Premium privacy and security gate latch with external access

Fits left- or right-mounted gates

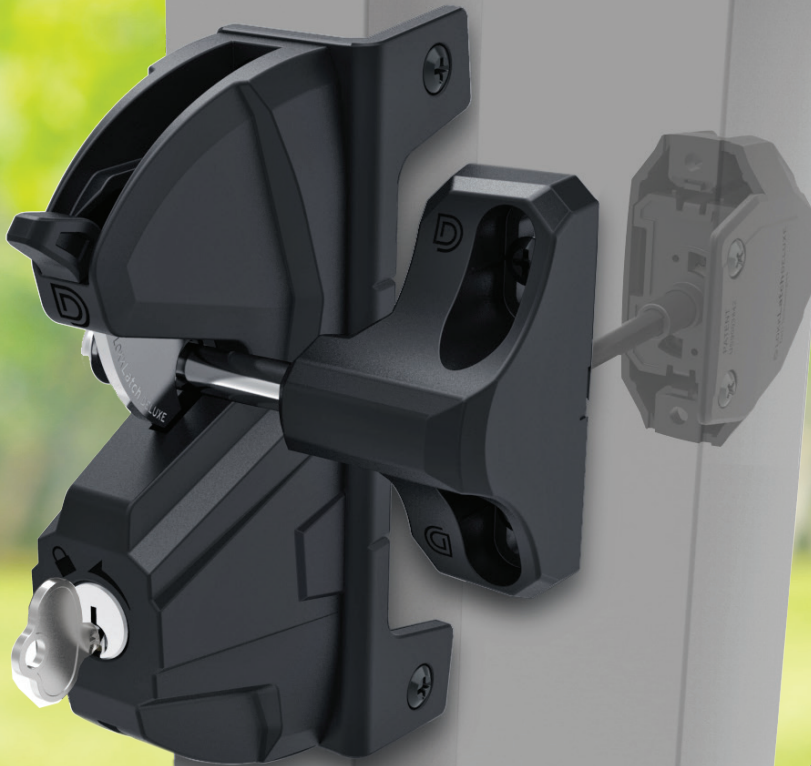


Mounting Bracket acts as a drilling template for quick & simple installation

Can be rekeyed to match existing doors



Snap-fit Connecting Rod provides quick connection between latch components and speedy installation



NEW!  
'SERIES 3'  
DESIGN

Easier to install!  
Bigger & stronger!  
Stylish & modern!

## Key lockable latch for metal, wood or vinyl gates

- Operates & locks from both sides of gate
- New fitting jig provides easier, faster installation
- New ball-joint Connecting Rod quickens installation
- Two latch-bolt lengths (models) for different gates
- Requires only one drilled hole through post
- Dual 6-pin locks can be rekeyed to match doors etc.
- Includes 125mm & 150mm connector rods (a spare if needed)
- Vertically & horizontally adjustable
- Industrial-strength polymer construction
- 316 marine-grade stainless components
- Fits fence posts 38-150mm deep



EXTERNAL VIEW



D&D Technologies

World's most trusted gate hardware



INTERNAL SIDE



EXTERNAL SIDE

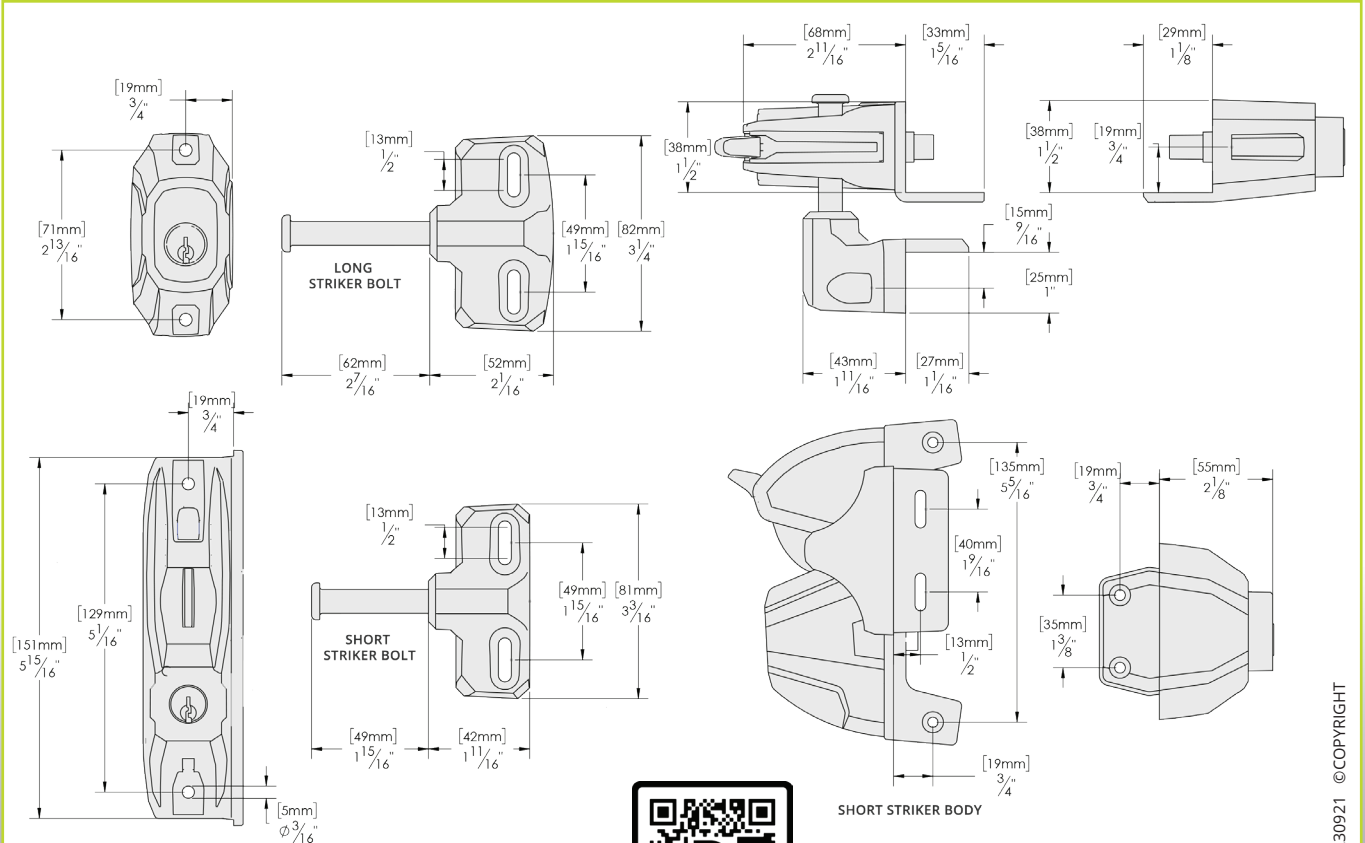
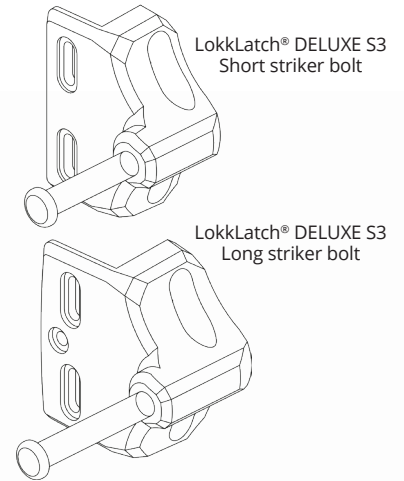
External access and locking capability



CAN BE ORDERED IN WHITE

CODE	COLOR	KEYED	GATE MATERIAL	IDEAL GAP	GATE GAP RANGE	STRIKER BOLT
LLD3LA	Black	Alike	Metal, Wood	19mm	12-30mm	Short bolt
LLD3LD	Black	Different	Metal, Wood	19mm	12-30mm	Short bolt
LLD3KA*	Black	Alike	Metal, Wood, Vinyl	25mm	12-38mm	Long bolt
LLD3KD*	Black	Different	Metal, Wood, Vinyl	25mm	12-38mm	Long bolt
LLD3KAW*	White	Alike	Metal, Wood, Vinyl	25mm	12-38mm	Long bolt
LLD3KDW*	White	Different	Metal, Wood, Vinyl	25mm	12-38mm	Long bolt
LLD3LDTCHD1A	Black	Kit - LokkLatch® DELUXE + TruClose® HD Hinges for Metal/Wood gates up to 70kg				
LLD3KDTCHD1AL2WT	White	Kit - LokkLatch® DELUXE + TruClose® HD Hinges for Metal/Wood gates up to 70kg				
LLD3LDTCA1S3	Black	Kit - LokkLatch® DELUXE + TruClose® Regular Hinges for Metal gates up to 30kg				

- Square-post to square-post mounting
- Minimum gate post dimensions 25mm x 25mm • Maximum post dimensions 150mm x 150mm
- Minimum fence post section dimension 38mm x 38mm
- \*Available as special order in Australia



[www.ddtech.com](http://www.ddtech.com)

D&D Technologies Pty Ltd  
 Unit 6, 4-6 Aquatic Drive, Frenchs Forest NSW 2086  
 Tel: (02) 9454 7888 Email: sales@ddtech.com.au



▶ HOW TO INSTALL

**D&D Technologies**  
 World's most trusted gate hardware